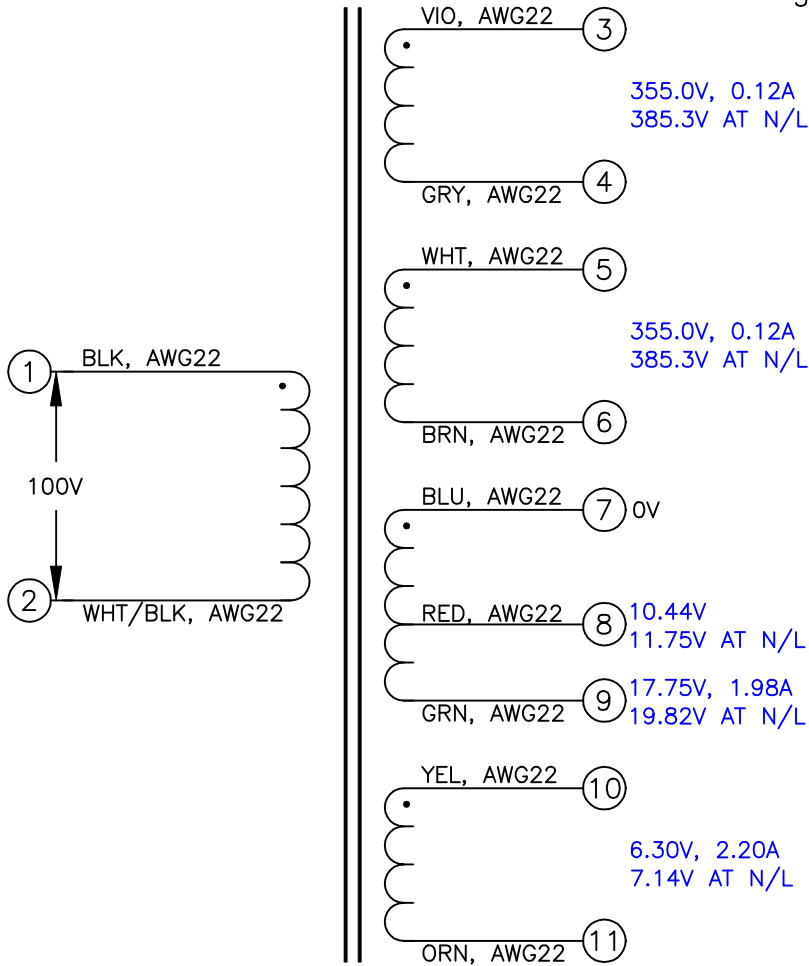
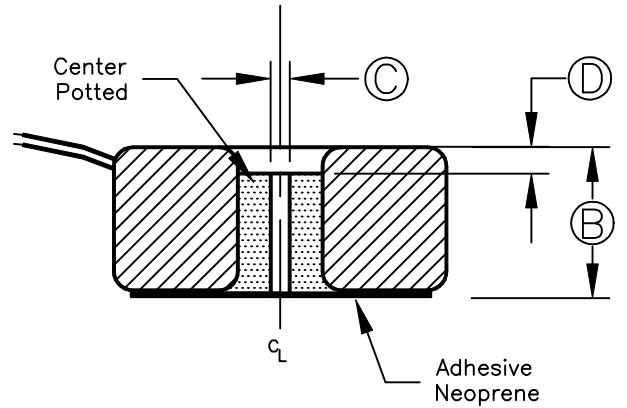
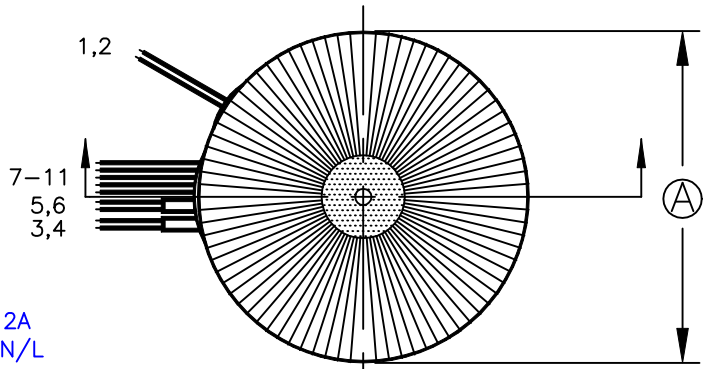


(PART NO: N/A)

POWER:	VA	134
TEMPERATURE RISE:	°C	*30
EFFICIENCY:	%	*91
WEIGHT:	kg	*1.7
FREQUENCY:	Hz	50-60



REF	DIMENSIONS			TOLERANCE
	Unit:	(nom)	(max)	
A	mm	* 90	101.60	
B	mm	* 70	88.90	
C	inch	1/4		
D	mm	15		±3

LEADS	LENGTH ±10mm	TERMINATION
1-11	305	STRIP 6mm +3/-0mm

LABEL

PLITRON MANUFACTURING INC.
 9326-X0-00 DATE CODE F:50/60
 INPUT: 100VAC

SERIES 3000

NOTES:

- UL recognised under UL File No.E156800 to UL506, UL1411,CSA 22.2 No.66-1988 Class A(105°C) Insulation System.
- Materials and construction is verified by CSA File No.LR84566-11, TO IEC 950, IEC65(EN60065).
- All stranded leads are TEW/UL1015 type wire.
- Leads breakout with no specific sequence.

* Calculated value	V=VAC rms A=l rms	C/T= Center Tap	N/L= No load
<p> PLITRON MANUFACTURING INC Toronto, Canada M3J 3J2 www.plitron.com </p>	<p>This document is the property of Plitron Manufacturing Inc. It is not to be copied or transmitted or used as the basis for manufacturing of apparatus without written permission. Copyright Plitron Manufacturing Inc.</p>		<h2>TOROIDAL POWER TRANSFORMER</h2>
	DESIGN BY: E.TAM	DATE: 01/31/2005	DWG NO. 9326-X0-00
	DRAWN BY: S.M.	DATE: 02/01/2005	
	CHECKED BY:	DATE:	SCALE N/A
APPROVED BY:	DATE:		